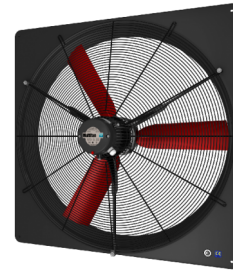



Technical data

Voltage	U	240	V
Phase		1	~
Frequency		60	Hz
Speed		780	RPM
Power consumption	P _e	690	W
Nominal current	I	3.1	A
Maximum current	I	3.3	A
Capacitor		12/400	μF
Ambient temperature	T _{amb min/max}	-13...104	°F
Insulation Class		CL.F	
IP Class		IP55	
Weight		56.7	Lbs.



Please note: Picture may deviate from original product

Fan details

Impeller blades		3
Impeller type		8
Impeller system		G
Impeller material		PG

Control options

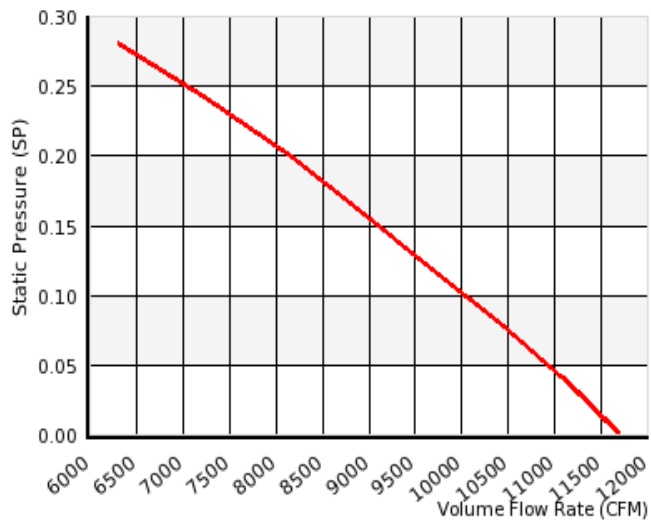
Triac controller	Yes
Transformer	Yes
Frequency drive	No
Intelligent Fan Drive	No

* All control options including single phase control frequency are available. Please contact Vostermans Ventilation Sales for more information

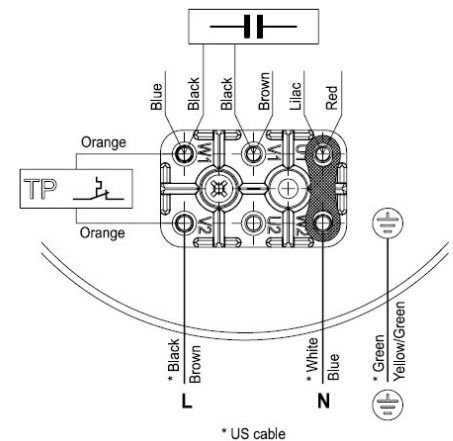
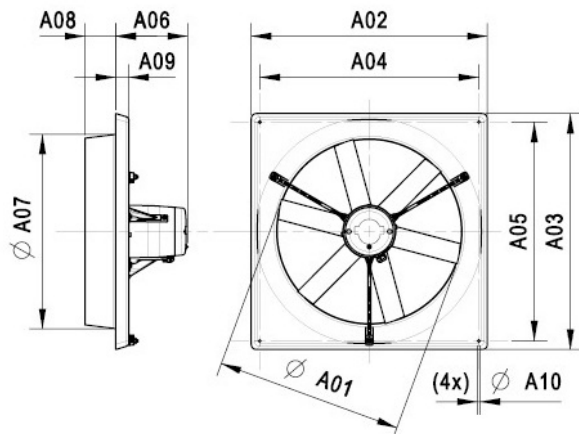
Characteristics

0.00 in. wg	11700 CFM
0.20 in. wg	8200 CFM

Data according ErP (Energy related Products)-directives (EU Commission Regulation 327/2011).


Wiring diagram

AA01 - CCW


Dimensions


A01	36.0 inch
A02	39.6 inch
A03	39.6 inch
A04	37.3 inch
A05	37.3 inch
A06	9.7 inch
A07	37.0 inch
A08	3.7 inch
A09	1.6 inch
A10	0.4 inch