


Technical data

Voltage	U	240	V
Phase		1	~
Frequency		60	Hz
Speed		1100	RPM
Power consumption	Pe	720	W
Nominal current	I	3.2	A
Maximum current	I	0.0	A
Capacitor		16/400	µF
Ambient temperature	T _{amb min/max}	-13...104	°F
Insulation Class		CL.F	
IP Class		IP55	
Weight		47.5	Lbs.
Packing dimensions		33.7x33.7x13.9	inch


Fan details

Impeller blades	5
Impeller type	5
Impeller system	G
Impeller material	PG

Control options

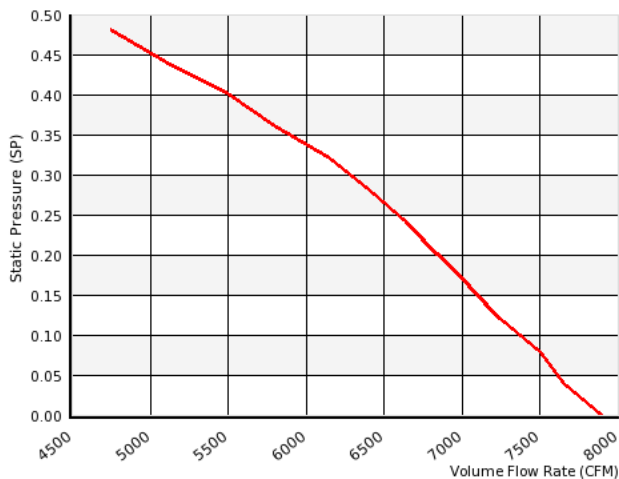
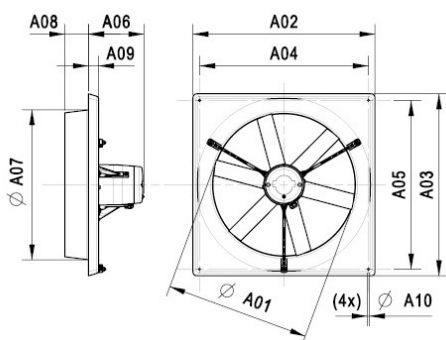
Triac controller	Yes
Transformer	Yes
Frequency drive	No

* All control options including single phase control frequency are available. Please contact Vostermans Ventilation Sales for more information

Characteristics

0.00 in. wg	7900 CFM
0.20 in. wg	6900 CFM

Data according ErP (Energy related Products)-directives (EU Commission Regulation 327/2011).


Dimensions


A01	28.0 inch
A02	33.5 inch
A03	33.5 inch
A04	31.1 inch
A05	31.1 inch
A06	9.7 inch
A07	29.1 inch
A08	4.1 inch
A09	1.6 inch
A10	0.4 inch

Wiring diagram
