



Technical data

Voltage	U	240	V
Phase		1	~
Frequency		60	Hz
Speed		1100	RPM
Power consumption	P _e	660	W
Nominal current	I	3.1	A
Maximum current	I	0.0	A
Capacitor		16/400	μF
Ambient temperature	T _{amb min/max}	-13...104	°F
Insulation Class		CL.F	
IP Class		IP55	
Weight		38.7	Lbs.



Control options

Triac controller	Yes
Transformer	Yes
Frequency drive	No

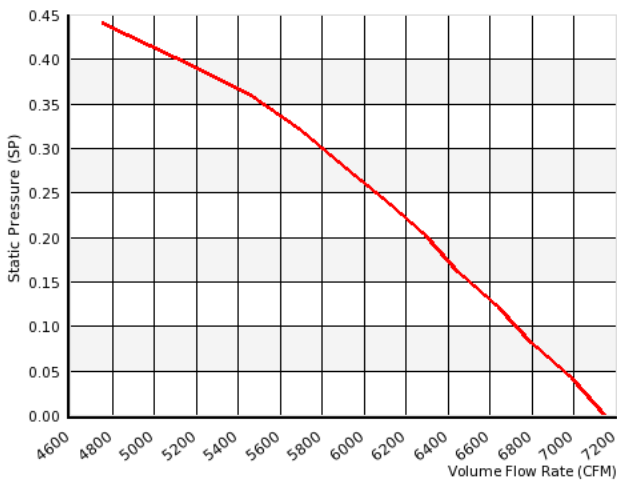
* All control options including single phase control frequency are available. Please contact Vostermans Ventilation Sales for more information

Fan details

Impeller blades	5
Impeller type	5
Impeller system	G
Impeller material	PG

Characteristics

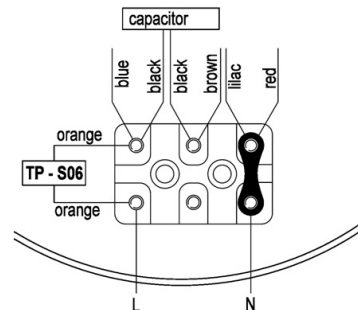
0.00	in. wg	7100	CFM
0.20	in. wa	6300	CFM



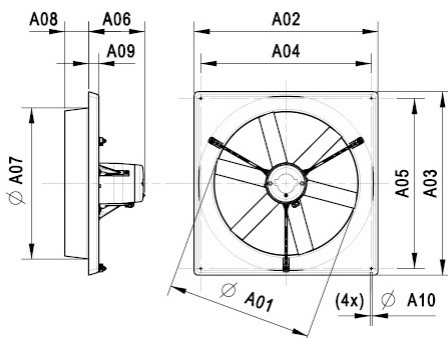
Approval(s)



Wiring diagram



Dimensions



A01	25.4 inch
A02	30.5 inch
A03	30.5 inch
A04	28.2 inch
A05	28.2 inch
A06	9.7 inch
A07	26.4 inch
A08	4.1 inch
A09	1.6 inch
A10	0.4 inch