



### Technical data

Voltage	U	120	V
Phase		1	~
Frequency		60	Hz
Speed		1000	RPM
Power consumption	P <sub>e</sub>	550	W
Nominal current	I	5.8	A
Maximum current	I	0.0	A
Capacitor		50/250	μF
Ambient temperature	T <sub>amb min/max</sub>	-13...104	°F
Insulation Class		CL.F	
IP Class		IP55	
Weight		48.8	Lbs.
Packing dimensions		27.8x27.8x14.6	inch



### Fan details

Impeller blades	5
Impeller type	5
Impeller system	G
Impeller material	PG

### Control options

Triac controller	Yes
Transformer	Yes
Frequency drive	No

\* All control options including single phase control frequency are available. Please contact Vostermans Ventilation Sales for more information

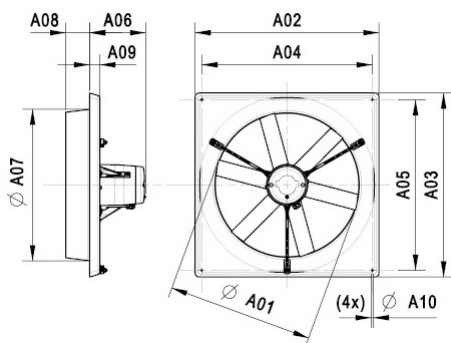
### Characteristics

0.00	in. wg	5500	CFM
0.20	in. wg	4450	CFM

### Approval(s)



### Dimensions



A01	22.6 inch
A02	27.6 inch
A03	27.6 inch
A04	25.2 inch
A05	25.2 inch
A06	9.7 inch
A07	23.6 inch
A08	4.1 inch
A09	1.6 inch
A10	0.4 inch

### Wiring diagram

