


**Technical data**

Voltage	U	240	V
Phase		1	~
Frequency		60	Hz
Speed		1100	RPM
Power consumption	P <sub>e</sub>	650	W
Nominal current	I	2.7	A
Maximum current	I	0.0	A
Capacitor		16/400	μF
Ambient temperature	T <sub>amb min/max</sub>	-13...104	°F
Insulation Class		CL.F	
IP Class		IP55	
Weight		43.1	Lbs.
Packing dimensions		28.4x28.4x15.8	inch



Please note: Picture may deviate from original product

**Fan details**

Impeller blades	5
Impeller type	5
Impeller system	G
Impeller material	PG

**Approval(s)**

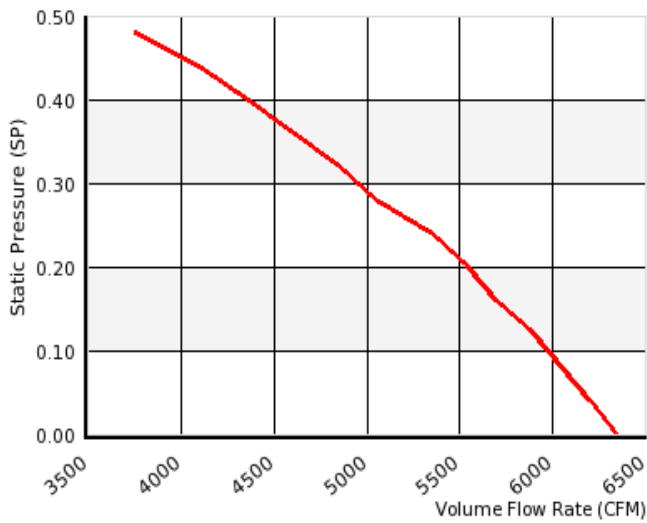
**Control options**

Triac controller	Yes
Transformer	Yes
Frequency drive	No
Intelligent Fan Drive	No

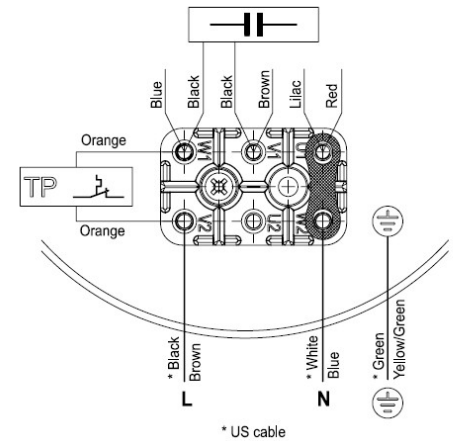
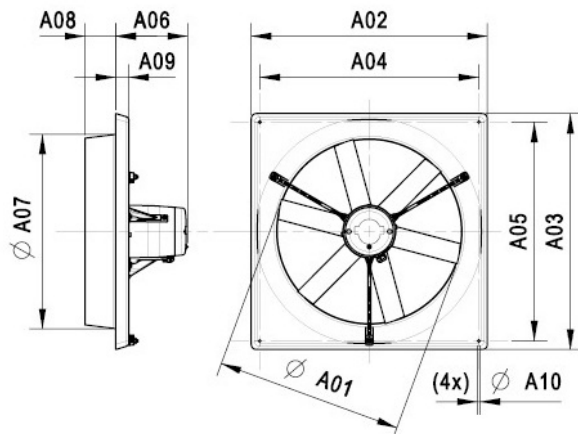
\* All control options including single phase control frequency are available. Please contact Vostermans Ventilation Sales for more information


**Characteristics**

0.00 in. wg	6350 CFM
0.20 in. wg	5550 CFM


**Wiring diagram**

AA01 - CCW


**Dimensions**


A01	22.6 inch
A02	27.6 inch
A03	27.6 inch
A04	25.2 inch
A05	25.2 inch
A06	9.7 inch
A07	23.6 inch
A08	4.1 inch
A09	1.6 inch
A10	0.4 inch