


Technical data

Voltage	U	265/460	V
Phase		3	~
Frequency		60	Hz
Speed		1075	RPM
Power consumption	P _e	740	W
Nominal current	I	2.4/1.4	A
Maximum current	I	2.5/1.5	A
Capacitor		-	μF
Ambient temperature	T _{amb min/max}	-13...104	°F
Insulation Class		CL.F	
IP Class		IP55	
Weight		46.3	Lbs.
Packing dimensions		31.5x31.1x15.6	inch



Please note: Picture may deviate from original product

Fan details

Impeller blades	4
Impeller type	5
Impeller system	G
Impeller material	PG

Control options

Triac controller	No
Transformer	Yes
Frequency drive	No

Characteristics

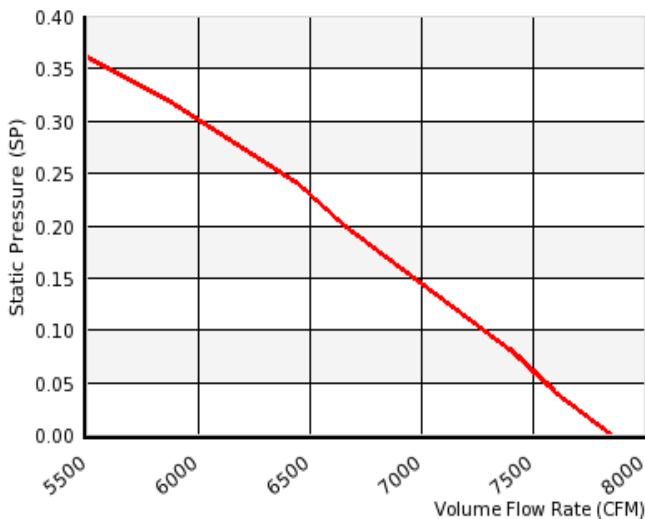
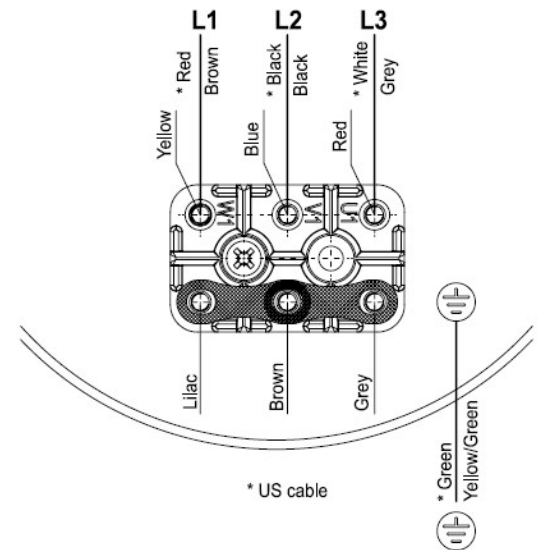
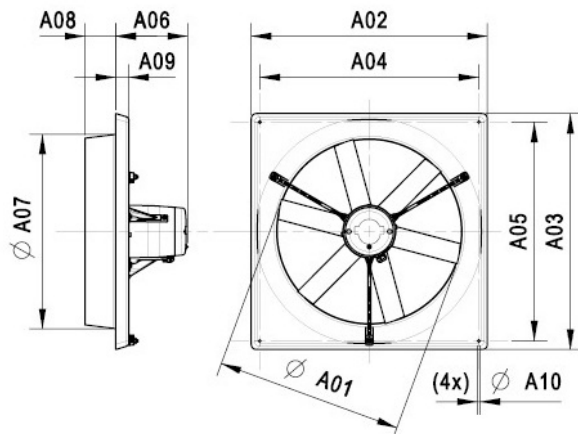
0.00 in. wg	7900 CFM
0.20 in. wg	6700 CFM

Data according ErP (Energy related Products)-directives (EU Commission Regulation 327/2011).

Approval(s)

Wiring diagram

AB01 - CCW


Dimensions


A01	25.4 inch
A02	30.5 inch
A03	30.5 inch
A04	28.2 inch
A05	28.2 inch
A06	9.7 inch
A07	26.4 inch
A08	4.1 inch
A09	1.6 inch
A10	0.4 inch