



Technical data

Voltage	U	120	V
Phase		1	~
Frequency		60	Hz
Speed		1600	RPM
Power consumption	P _e	410	W
Nominal current	I	3.3	A
Maximum current	I	4.2	A
Capacitor		20/250	μF
Ambient temperature	T _{amb min/max}	-13...104	°F
Insulation Class		CL.F	
IP Class		IP55	
Weight		21.6	Lbs.



Control options

Triac controller	Yes
Transformer	Yes
Frequency drive	No

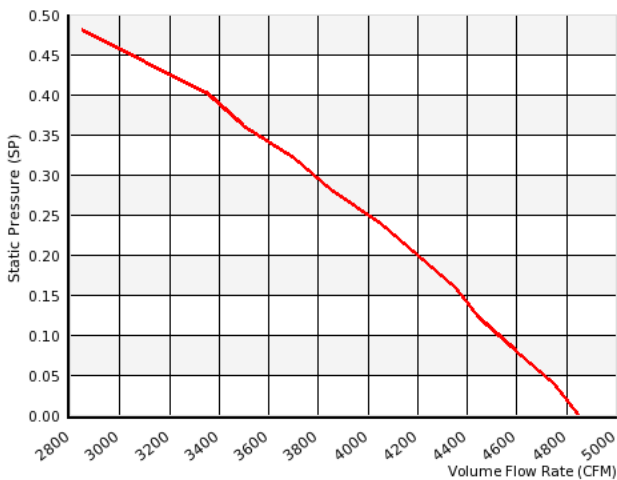
* All control options including single phase control frequency are available. Please contact Vostermans Ventilation Sales for more information

Fan details

Impeller blades	6
Impeller type	3
Impeller system	C
Impeller material	PP

Characteristics

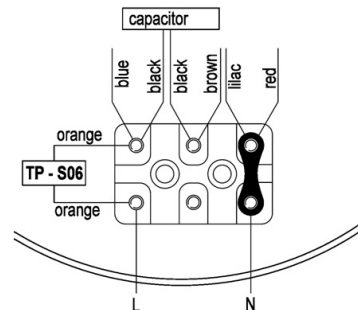
0.00 in. wg	4900 CFM
0.20 in. wa	4200 CFM



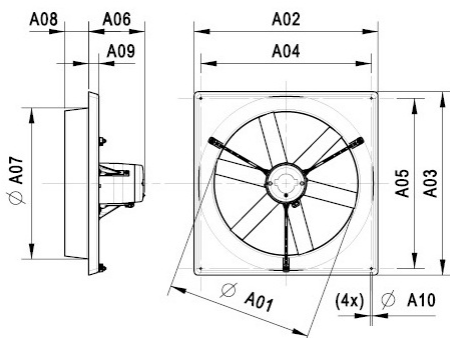
Approval(s)



Wiring diagram



Dimensions



A01	20.2 inch
A02	25.5 inch
A03	25.5 inch
A04	23.6 inch
A05	23.6 inch
A06	7.6 inch
A07	9.7 inch
A08	21.3 inch
A09	3.3 inch
A10	1.4 inch
A11	0.3 inch