


**Technical data**

Voltage	U	120	V
Phase		1	~
Frequency		60	Hz
Speed		1650	RPM
Power consumption	P <sub>e</sub>	300	W
Nominal current	I	3	A
Maximum current	I	0.0	A
Capacitor		25/250	μF
Ambient temperature	T <sub>amb min/max</sub>	-13...104	°F
Insulation Class		CL.F	
IP Class		IP55	
Weight		24.7	Lbs.


**Fan details**

Impeller blades	6
Impeller type	3
Impeller system	C
Impeller material	PP

**Approval(s)**

**Control options**

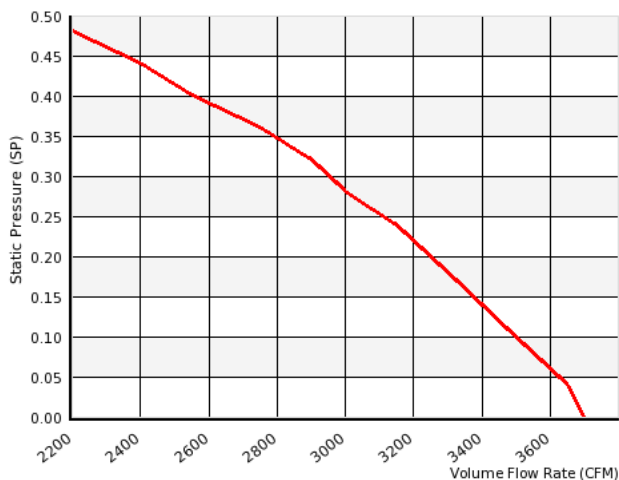
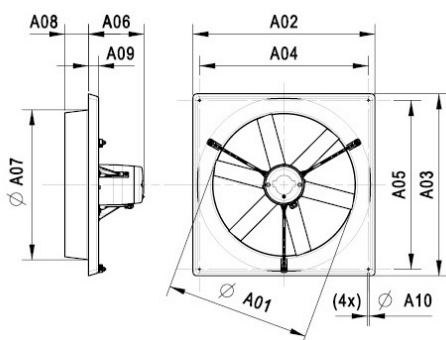
Triac controller	Yes
Transformer	Yes
Frequency drive	No

\* All control options including single phase control frequency are available. Please contact Vostermans Ventilation Sales for more information

**Characteristics**

0.00 in. wg	3750 CFM
0.20 in. wg	3250 CFM

Data according ErP (Energy related Products)-directives (EU Commission Regulation 327/2011).


**Dimensions**


A01	18.1 inch
A02	23.3 inch
A03	23.3 inch
A04	21.5 inch
A05	21.5 inch
A06	9.7 inch
A07	19.3 inch
A08	3.3 inch
A09	1.4 inch
A10	0.3 inch

**Wiring diagram**
