



## Technical data

Voltage	U	240	V
Phase		1	~
Frequency		60	Hz
Speed		1650	RPM
Power consumption	P <sub>e</sub>	260	W
Nominal current	I	1.2	A
Maximum current	I	0.0	A
Capacitor		05/400	μF
Ambient temperature	T <sub>amb min/max</sub>	-13...104	°F
Insulation Class		CL.F	
IP Class		IP55	
Weight		21.1	Lbs.



## Control options

Triac controller	Yes
Transformer	Yes
Frequency drive	No

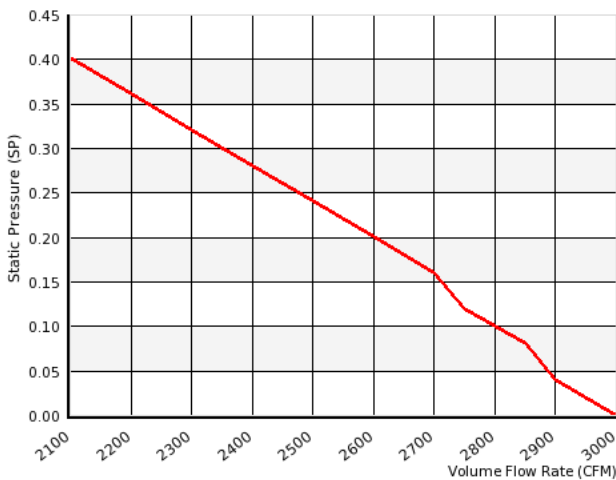
\* All control options including single phase control frequency are available. Please contact Vostermans Ventilation Sales for more information

## Fan details

Impeller blades	6
Impeller type	3
Impeller system	C
Impeller material	PP

## Characteristics

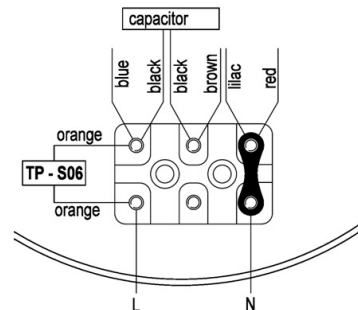
0.00	in. wg	3000	CFM
0.20	in. wa	2600	CFM



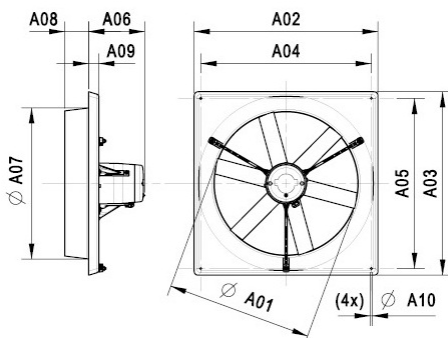
## Approval(s)



## Wiring diagram



## Dimensions



A01	16.3 inch
A02	21.4 inch
A03	21.4 inch
A04	19.5 inch
A05	19.5 inch
A06	7.6 inch
A07	17.3 inch
A08	3.3 inch
A09	1.4 inch
A10	0.3 inch