


Technical data

Voltage	U	240	V
Phase		1	~
Frequency		60	Hz
Speed		1645	RPM
Power consumption	P _e	180	W
Nominal current	I	0.9	A
Maximum current	I	1.1	A
Capacitor		03/400	µF
Ambient temperature	T _{amb min/max}	-13...104	°F
Insulation Class		CL.F	
IP Class		IP55	
Weight		20.4	Lbs.
Packing dimensions		19.7x19.7x11.4	inch


Fan details

Impeller blades	6
Impeller type	3
Impeller system	C
Impeller material	PP

Approval(s)

Control options

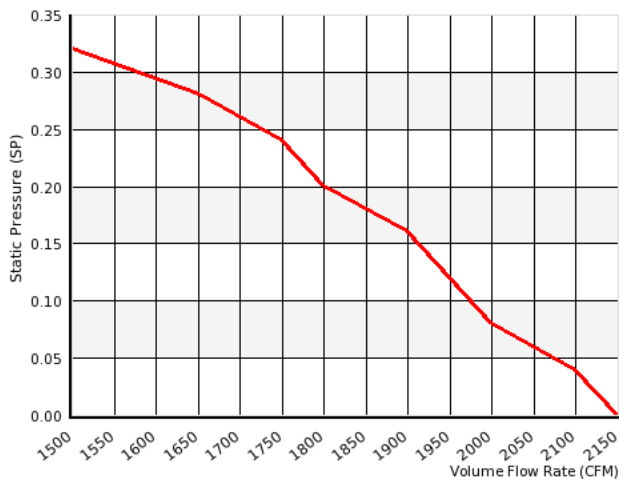
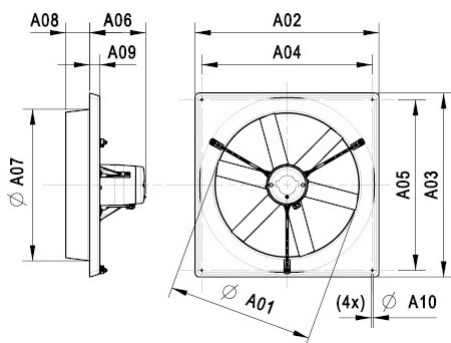
Triac controller	Yes
Transformer	Yes
Frequency drive	No

* All control options including single phase control frequency are available. Please contact Vostermans Ventilation Sales for more information

Characteristics

0.00 in. wg	2150 CFM
0.20 in. wg	1800 CFM

Data according ErP (Energy related Products)-directives (EU Commission Regulation 327/2011).


Dimensions


A01	14.3 inch
A02	19.4 inch
A03	19.4 inch
A04	17.5 inch
A05	17.5 inch
A06	7.6 inch
A07	15.4 inch
A08	3.3 inch
A09	1.4 inch
A10	0.3 inch

Wiring diagram
