



Technical data

Voltage	U	240	V
Phase		1	~
Frequency		60	Hz
Speed		1680	RPM
Power consumption	P _e	110	W
Nominal current	I	0.5	A
Maximum current	I	0.8	A
Capacitor		02/400	μF
Ambient temperature	T _{amb min/max}	-13...104	°F
Insulation Class		CL.F	
IP Class		IP55	
Weight		18.6	Lbs.
Packing dimensions		17.7x17.7x11.4	inch



Please note: Picture may deviate from original product

Fan details

Impeller blades	6
Impeller type	3
Impeller system	C
Impeller material	PP

Approval(s)



Control options

Triac controller	Yes
Transformer	Yes
Frequency drive	No
Intelligent Fan Drive	No

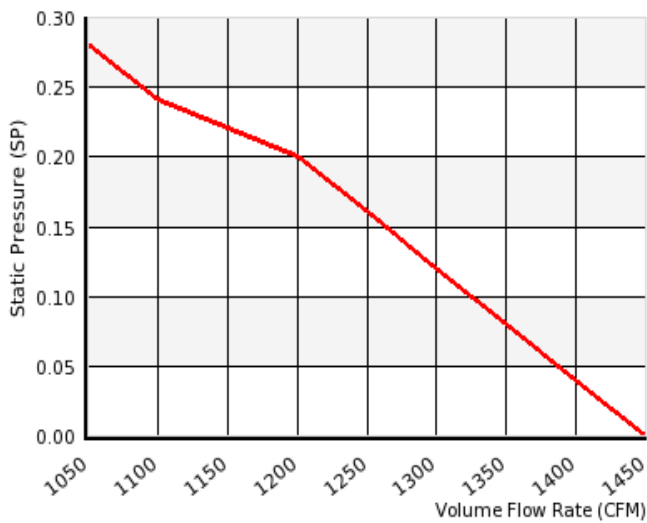


* All control options including single phase control frequency are available. Please contact Vostermans Ventilation Sales for more information

Characteristics

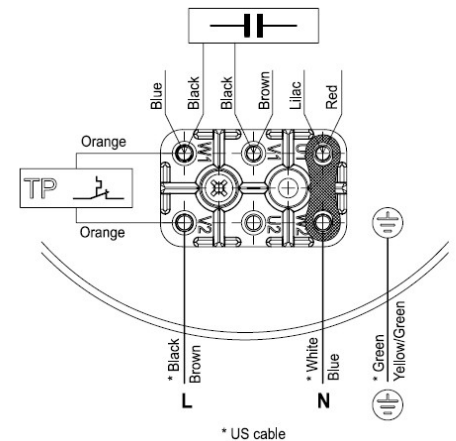
0.00 in. wg	1400 CFM
0.20 in. wg	1200 CFM

Data according ErP (Energy related Products)-directives (EU Commission Regulation 327/2011).

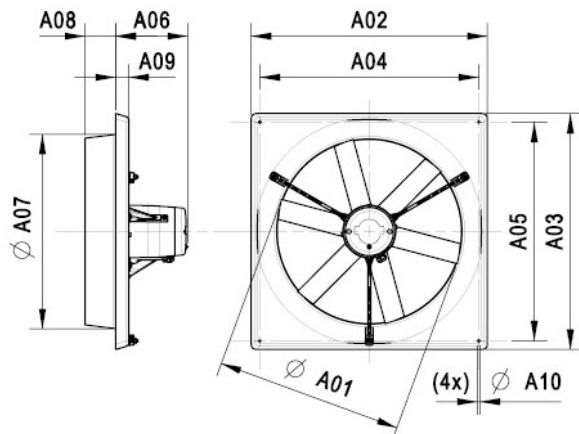


Wiring diagram

AA01 - CCW



Dimensions



A01	12.3 inch
A02	17.4 inch
A03	17.4 inch
A04	15.6 inch
A05	15.6 inch
A06	7.6 inch
A07	13.4 inch
A08	3.3 inch
A09	1.4 inch
A10	0.3 inch