



Technical data

Voltage	U	240	V
Phase		1	~
Frequency		60	Hz
Speed		1750	RPM
Power consumption	P _e	70	W
Nominal current	I	0.4	A
Maximum current	I	0.0	A
Capacitor		02/400	μF
Ambient temperature	T _{amb min/max}	-13...104	°F
Insulation Class		CL.F	
IP Class		IP55	
Weight		19.8	Lbs.
Packing dimensions		16.1x16.1x12.6	inch



Please note: Picture may deviate from original product

Fan details

Impeller blades	6
Impeller type	3
Impeller system	C
Impeller material	PP

Approval(s)



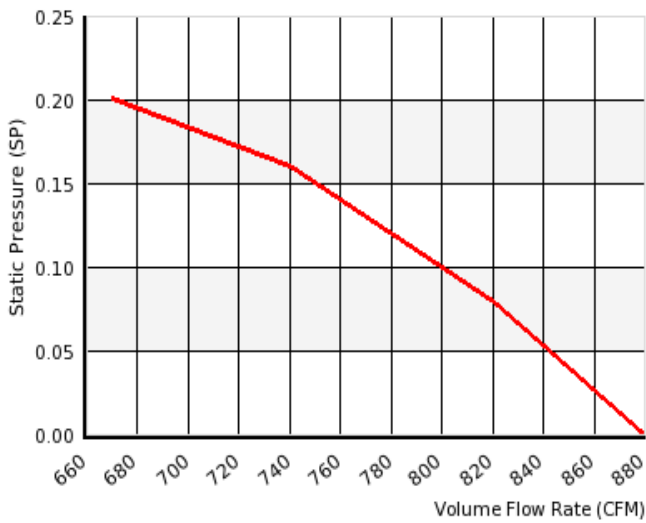
Control options

Triac controller	Yes
Transformer	Yes
Frequency drive	No
Intelligent Fan Drive	No

* All control options including single phase control frequency are available. Please contact Vostermans Ventilation Sales for more information

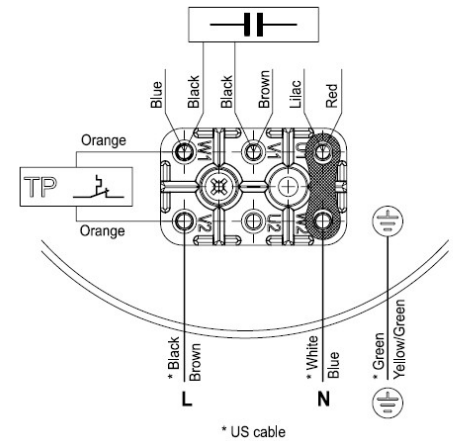
Characteristics

0.00 in. wg	880 CFM
0.20 in. wg	680 CFM

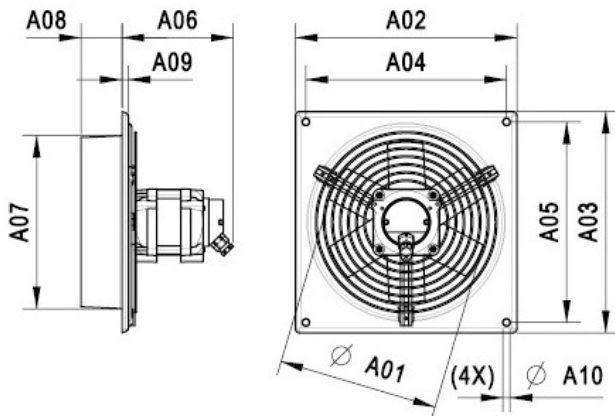


Wiring diagram

AA01 - CCW



Dimensions



A01	9.8 inch
A02	12.8 inch
A03	12.8 inch
A04	11.8 inch
A05	11.8 inch
A06	5.9 inch
A07	10.5 inch
A08	2.0 inch
A09	0.3 inch
A10	0.4 inch