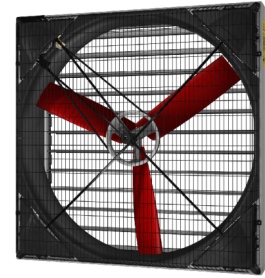




Technical data

Voltage	U	240	V
Phase		1	~
Frequency		60	Hz
Speed		570	RPM
Power consumption	P _e	1650	W
Nominal current	I	6.6	A
Maximum current	I	7.1	A
Capacitor		24/400	μF
Ambient temperature	T _{amb min/max}	-13...104	°F
Insulation Class		CL.F	
IP Class		IP55	
Weight		176.0	Lbs.



Please note: Picture may deviate from original product

Fan details

Impeller blades		3
Impeller type		10
Impeller system		N
Impeller material		PG

Approval(s)



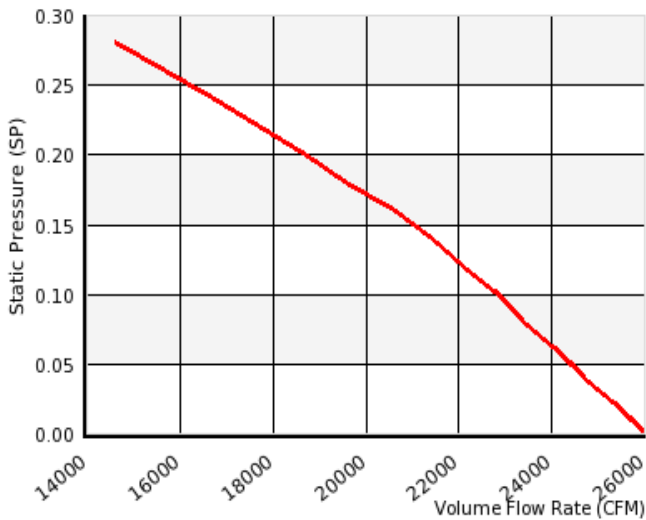
Control options

Triac controller		No
Transformer		No
Frequency drive		No
Intelligent Fan Drive		No

* All control options including single phase control frequency are available. Please contact Vostermans Ventilation Sales for more information

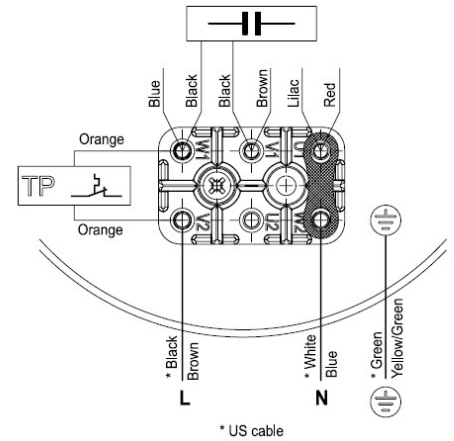
Characteristics

0.00 in. wg	26000 CFM
0.20 in. wg	18700 CFM

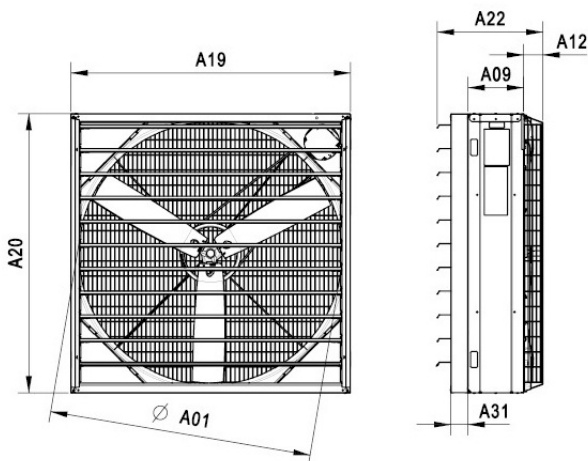


Wiring diagram

AA01 - CCW



Dimensions



A01	50.6 inch
A09	10.8 inch
A12	3.8 inch
A19	54.4 inch
A20	54.4 inch
A22	20.6 inch
A31	3.3 inch