



Technical data

Voltage	U	265/460	V
Phase		3	~
Frequency		60	Hz
Power consumption	P _e	1750	W
Nominal current	I	6.1/3.5	A
Capacitor		-	μF
Min. ambient temperature	T _{amb min}	-13	°F
Max. ambient temperature	T _{amb max}	104	°F
Insulation Class		CL.F	
IP Class		IP55	
Weight		9.1	lbs
Packing dimensions		30.7x30.7x13.9	inch



Control options

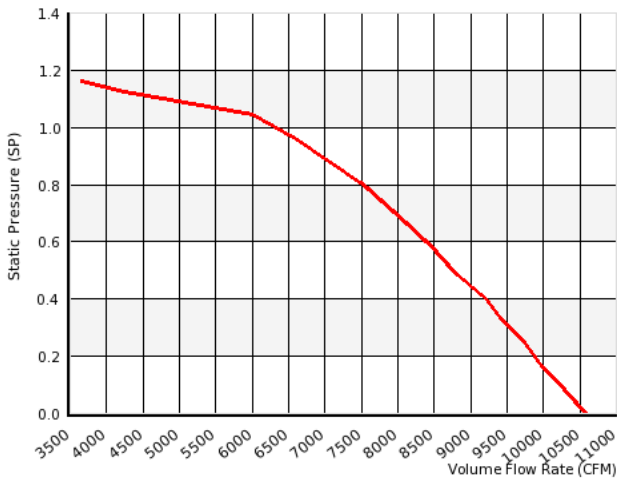
Triac controller	No
Transformer	Yes
Frequency drive	No

Fan details

Impeller blades	4
Impeller type	5
Impeller system	G
Impeller material	PG

Characteristics

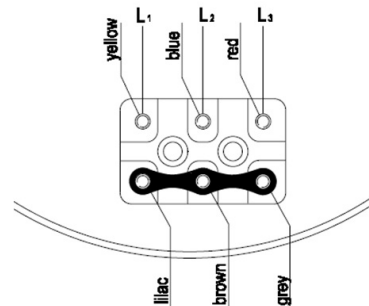
0.00	in. wg	10700	CFM
0.60	in. wa	8350	CFM



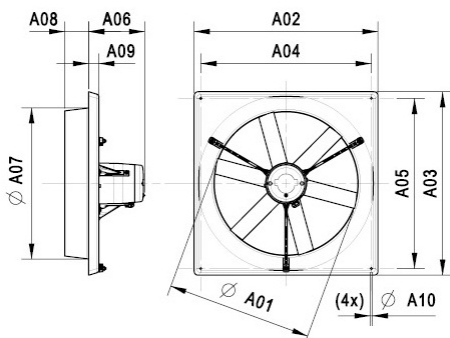
Approval(s)



Wiring diagram



Dimensions



A01	25.4 inch
A02	30.5 inch
A03	30.5 inch
A04	28.2 inch
A05	28.2 inch
A06	9.7 inch
A07	26.4 inch
A08	4.1 inch
A09	1.6 inch
A10	0.4 inch