



## Technical data

Voltage	U	265/460	V
Phase		3	~
Frequency		60	Hz
Speed		1595	RPM
Power consumption	P <sub>e</sub>	1150	W
Nominal current	I	3.3/1.9	A
Maximum current	I	3.5/2.0	A
Capacitor		-	μF
Ambient temperature	T <sub>amb min/max</sub>	-13...104	°F
Insulation Class		CL.F	
IP Class		IP55	
Weight		46.8	Lbs.
Packing dimensions		27.8x27.8x14.6	inch



## Control options

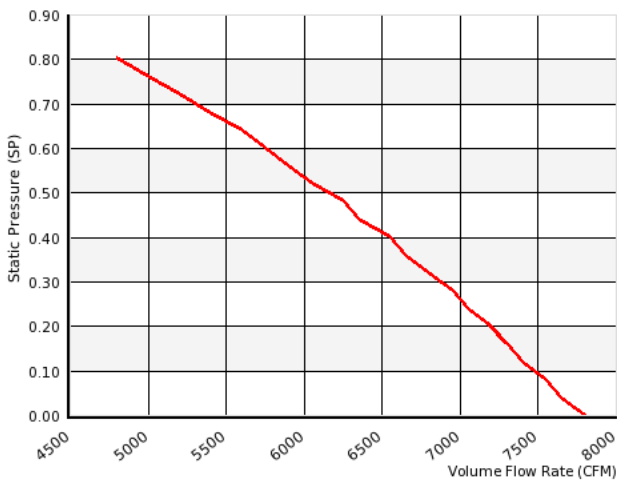
Triac controller	No
Transformer	Yes
Frequency drive	No

## Fan details

Impeller blades	4
Impeller type	5
Impeller system	G
Impeller material	PG

## Characteristics

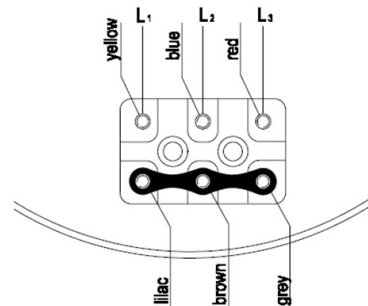
0.00	in. wg	7700	CFM
0.60	in. wa	5700	CFM



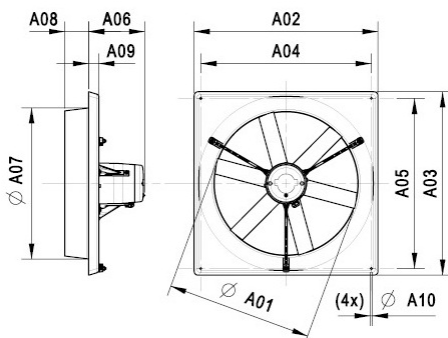
## Approval(s)



## Wiring diagram



## Dimensions



A01	22.6 inch
A02	27.6 inch
A03	27.6 inch
A04	25.2 inch
A05	25.2 inch
A06	9.7 inch
A07	23.6 inch
A08	4.1 inch
A09	1.6 inch
A10	0.4 inch