



## Technical data

Voltage	U	265/460	V
Phase		3	~
Frequency		60	Hz
Speed		1650	RPM
Power consumption	P <sub>e</sub>	340	W
Nominal current	I	1.2/0.7	A
Maximum current	I	1.3/0.8	A
Capacitor		-	μF
Ambient temperature	T <sub>amb min/max</sub>	-13...104	°F
Insulation Class		CL.F	
IP Class		IP55	
Weight		20.9	Lbs.
Packing dimensions		21.7x21.7x11.4	inch



## Control options

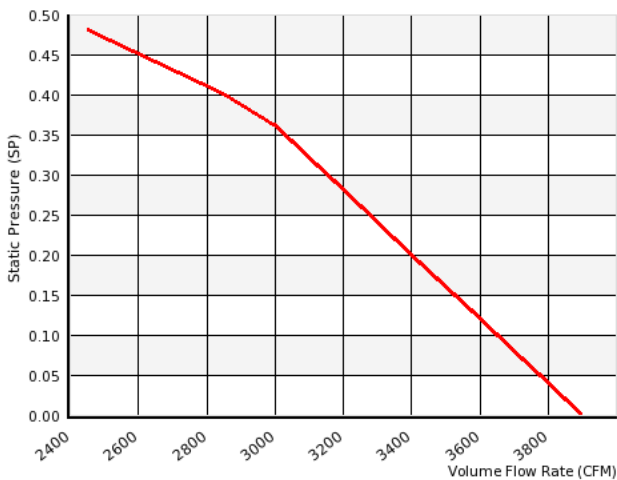
Triac controller	No
Transformer	Yes
Frequency drive	No

## Fan details

Impeller blades	6
Impeller type	3
Impeller system	C
Impeller material	PP

## Characteristics

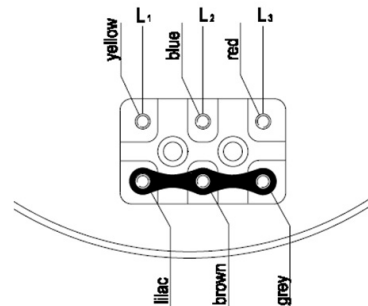
0.00	in. wg	3900	CFM
0.20	in. wa	3400	CFM



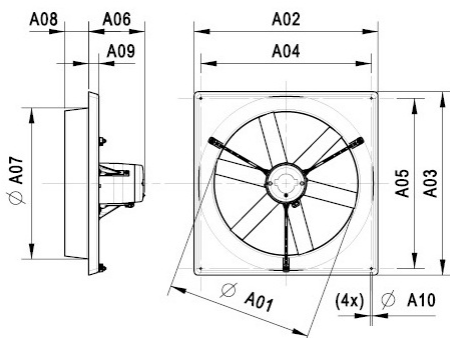
## Approval(s)



## Wiring diagram



## Dimensions



A01	18.1 inch
A02	23.3 inch
A03	23.3 inch
A04	21.5 inch
A05	21.5 inch
A06	9.7 inch
A07	19.3 inch
A08	3.3 inch
A09	1.4 inch
A10	0.3 inch