



### Technical data

Voltage	U	265/460	V
Phase		3	~
Frequency		60	Hz
Speed		1650	RPM
Power consumption	P <sub>e</sub>	270	W
Nominal current	I	1/0.6	A
Maximum current	I	1.1/0.6	A
Capacitor		-	μF
Ambient temperature	T <sub>amb min/max</sub>	-13...104	°F
Insulation Class		CL.F	
IP Class		IP55	
Weight		20.3	Lbs.
Packing dimensions		21.7x21.7x11.4	inch



Please note: Picture may deviate from original product

### Fan details

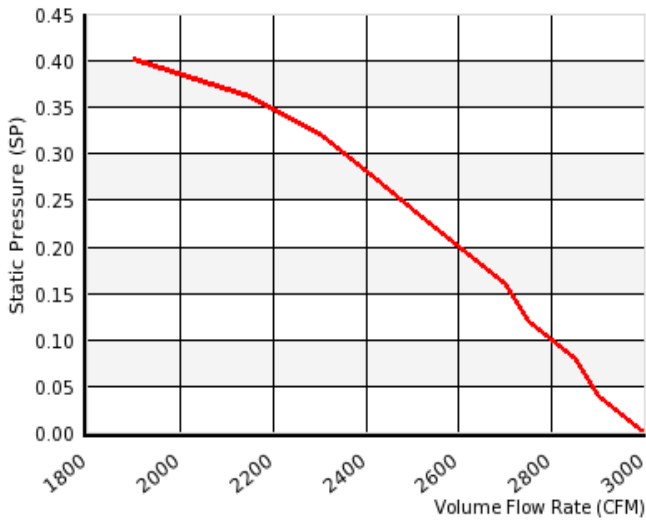
Impeller blades	6
Impeller type	3
Impeller system	C
Impeller material	PP

### Control options

Triac controller	No
Transformer	Yes
Frequency drive	No
Intelligent Fan Drive	No

### Characteristics

0.00 in. wg	2950 CFM
0.20 in. wg	2600 CFM

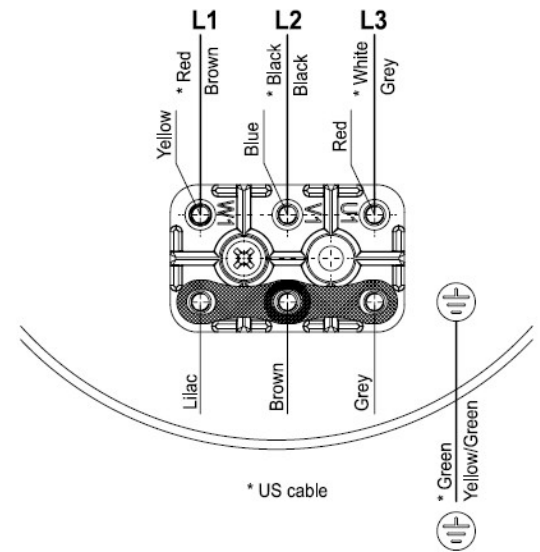


### Approval(s)

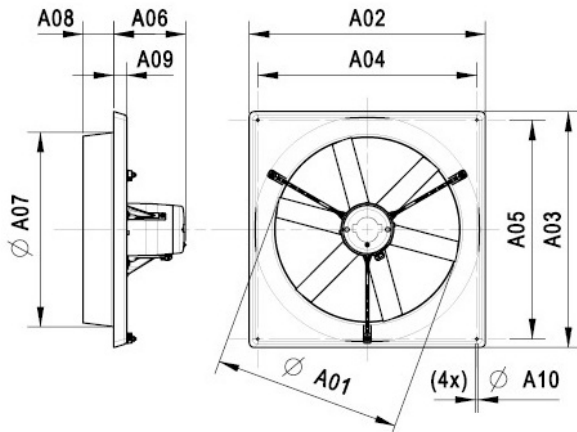


### Wiring diagram

AB01 - CCW



### Dimensions



A01	16.3 inch
A02	21.4 inch
A03	21.4 inch
A04	19.5 inch
A05	19.5 inch
A06	7.6 inch
A07	17.3 inch
A08	3.3 inch
A09	1.4 inch
A10	0.3 inch