



## Technical data

Voltage	U	265/460	V
Phase		3	~
Frequency		60	Hz
Speed		1700	RPM
Power consumption	P <sub>e</sub>	210	W
Nominal current	I	0.9/0.5	A
Maximum current	I	1.0/0.6	A
Capacitor		-	μF
Ambient temperature	T <sub>amb min/max</sub>	-13...104	°F
Insulation Class		CL.F	
IP Class		IP55	
Packing dimensions		19.7x19.7x11.4	inch



## Control options

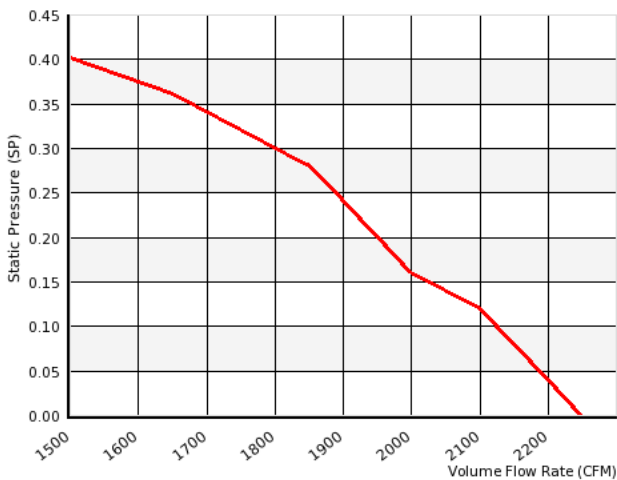
Triac controller	No
Transformer	Yes
Frequency drive	No

## Fan details

Impeller blades	6
Impeller type	3
Impeller system	C
Impeller material	PP

## Characteristics

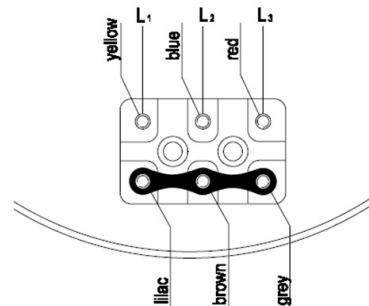
0.00	in. wg	2250	CFM
0.20	in. wa	1950	CFM



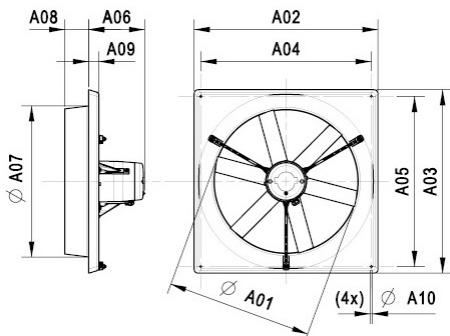
## Approval(s)



## Wiring diagram



## Dimensions



A01	14.3 inch
A02	19.4 inch
A03	19.4 inch
A04	17.5 inch
A05	17.5 inch
A06	7.6 inch
A07	15.4 inch
A08	3.3 inch
A09	1.4 inch
A10	0.3 inch