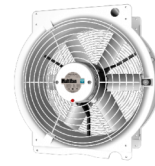



Technical data

Voltage	U	120	V
Phase		1	~
Frequency		60	Hz
Speed		1615	RPM
Power consumption	P _e	290	W
Nominal current	I	2.4	A
Maximum current	I	2.9	A
Capacitor		20/250	μF
Ambient temperature	T _{amb min/max}	-13...104	°F
Insulation Class		CL.F	
IP Class		IP55	
Weight		25.6	Lbs.
Packing dimensions		20.9x20.9x13.6	inch



Please note: Picture may deviate from original product

Fan details

Impeller blades	6
Impeller type	3
Impeller system	C
Impeller material	PP

Control options

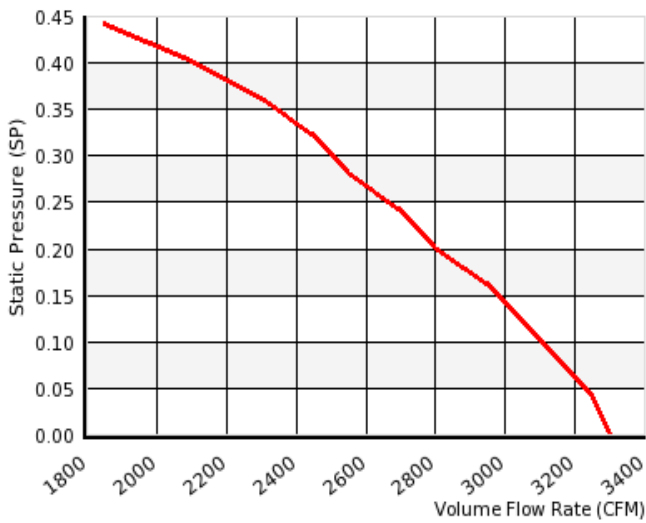
Triac controller	Yes
Transformer	Yes
Frequency drive	No
Intelligent Fan Drive	No

* All control options including single phase control frequency are available. Please contact Vostermans Ventilation Sales for more information

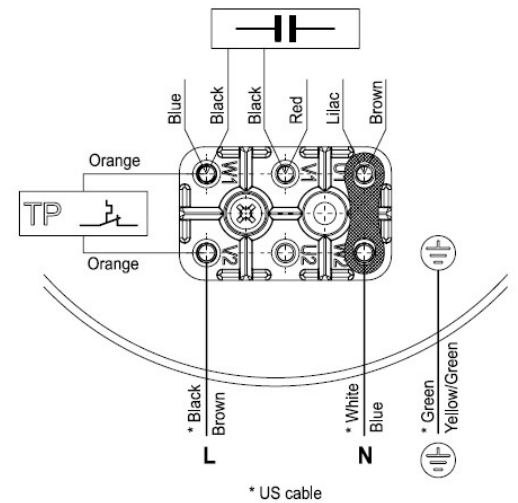
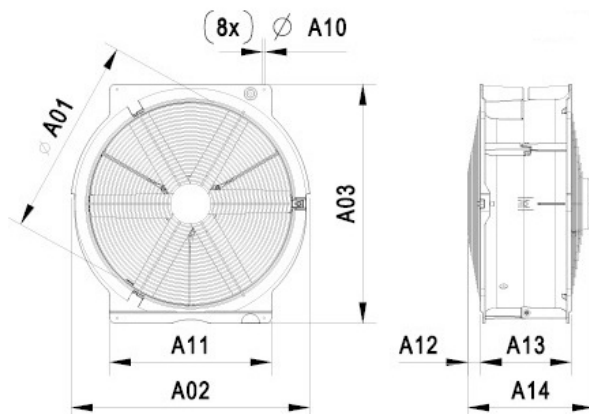
Approval(s)

Characteristics

0.00 in. wg	3350 CFM
0.20 in. wg	2800 CFM


Wiring diagram

AA02 - CW


Dimensions


A01	16.5 inch
A02	20.3 inch
A03	20.5 inch
A10	0.3 inch
A11	14.4 inch
A12	1.0 inch
A13	8.5 inch
A14	12.2 inch