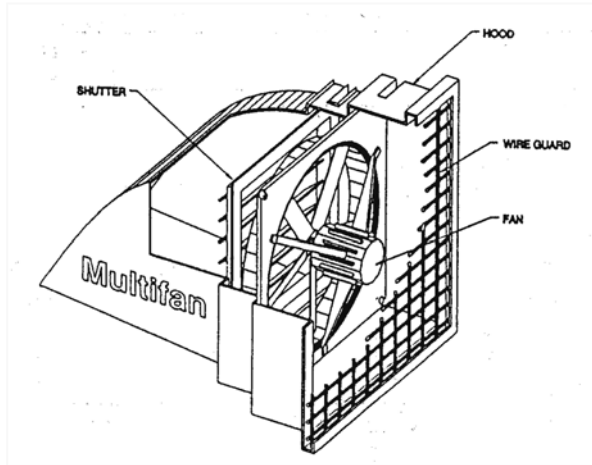
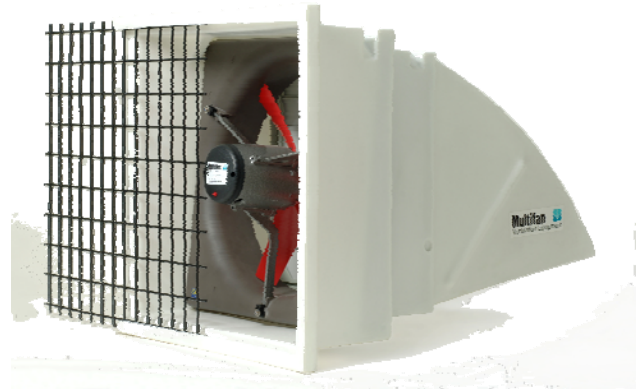


## Multifan System 1

This complete fan system consists of a standard Multifan panel fan, plastic hood, shutter and wire guard. Designed to be an energy efficient exhaust system, this simple one piece hood with and quick insert fan installs quickly.



### Application:

Quickly installs through most standard walls. Typically used in warehouses, chemical store rooms, livestock facilities and arenas, pool houses, and water treatment facilities.

### Component Specifications:

- Can ship assembled or as nested components. Includes fan, hood, shutter, and wire guard.
- Motors can be Variable Speed controlled-control not included.
- TEAO motor, severe duty, class F insulated
- UL 507 rated for out door and wash down
- Motor has ball bearings, front & rear
- Aerodynamic polyethylene hood allows air exhaust without external wind interference.
- Mounts nearly flush to inside wall.
- Available in 120, 240, 460 volts, 50 or 60 hertz.
- Motor covered by **3-year warranty**.

Part #	Volts	Dia.	Motor	Amps	RPM	CFM			Rough Open (Square)
						0,0 SP	0,5 SP	0,1 SP	
S1124E2Q	240 VOLTS	12"	4E30Q	0,5	1.600	1.322	1243	1159	19 1/4"
S1164E2Q		16"	4E40Q	1,1	1.600	2.383	2276	2159	23 1/4"
S1184E2Q		18"	4E45Q	1,5	1.600	3.279	3148	3005	25 1/4"
S1204E2Q		20"	4E50Q	2	1.600	4.259	4042	3883	27 1/4"
S1246E2Q		24"	6E63Q	3,1	1.000	6.203	5981	5736	31 3/4"

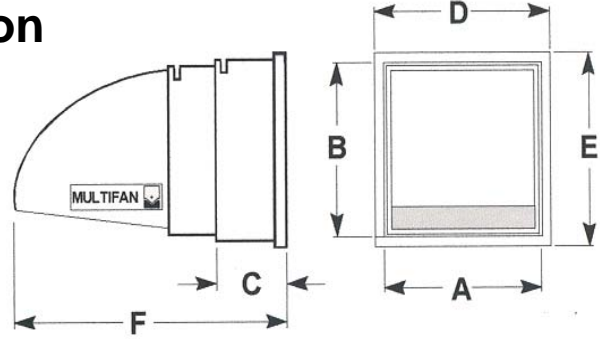
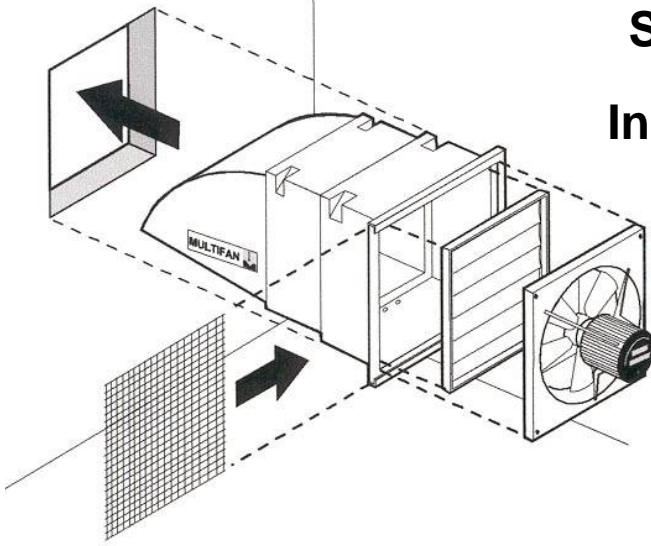
S1124E1Q	120 VOLTS	12"	4E30Q	1,1	1.600	1.282	1206	1124	19 1/4"
S1164E1Q		16"	4E40Q	2,3	1.600	2.312	2208	2094	23 1/4"
S1184E1Q		18"	4E45Q	3	1.600	3.180	3053	2915	25 1/4"
S1204E1Q		20"	4E50Q	4	1.600	4.131	3921	3767	27 1/4"
S1246E1Q		24"	6E63Q	5,6	1.000	6.017	5802	5564	31 3/4"

## MULTIFAN fans for:

- Quality
- Reliability
- Long life
- Low energy-consumption
- Superior speed control

# System 1

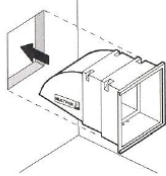
## Installation



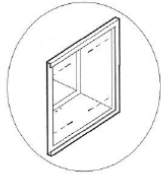
**Table 1**  
Measurements in Inches

	A	B	C	D	E	F	Rough Opening Square
10"/12"Q	18	18	9 1/4	21 7/16	21 3/8	31	19 1/4
16"Q	21 5/8	21 7/8	8 7/8	25 1/8	25 1/4	34 5/8	23 1/4
18"Q	23 3/4	24	8 7/8	27 1/8	27 1/2	36 1/2	25 1/4
20"Q	25 3/4	25 3/4	8 7/8	29 1/2	29 1/2	36 3/8	27 1/4
24"Q	30 7/8	30 7/8	10 3/4	34 1/4	34 1/8	47 1/2	31 3/4

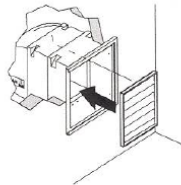
**1.** Cut rough opening in sidewall and insert hood. Rough opening must be square. (See table 1 above for hood dimensions and rough opening sizes).



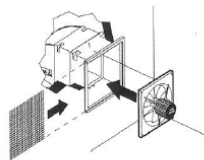
**2.** Screw to framework inside the housing on all four corners using screw gun and (4) 1/2" wood screws. Drill top and bottom screws 1" from the top and bottom on the side of the housing.



**3.** Insert shutter. Corners of shutter rest in slot past the first corner tab as shown in diagram at right. Insert a plastic nail in the pre-drilled hole to secure the shutter in the housing.



**4.** Insert top corners of fan. Corners should rest in slot past the second corner tab as shown in diagram at right. Slide wire guard into place before using. When fan is not in use, a winter shut-off slide is available.



### Tools Required:



Screw Gun/Drill



Skill Saw

### Shipping and Packaging

10" and 12" Q style System 1's can be shipped United Parcel Service with no restrictions

16"-24"Q style System1's must be shipped Freight, because of width and girth restrictions.

All System 1's can be shipped assembled or in pieces

## Vostermans

Ventilation



Vostermans Ventilation Inc  
2439 S. Main St.  
Bloomington, IL 61704-USA  
Tel : +1 309 827-9798  
Fax : +1 309 829-1993  
E-mail :  
[ventilation@vostermansusa.com](mailto:ventilation@vostermansusa.com)  
[www.vostermansusa.com](http://www.vostermansusa.com)

Vostermans Ventilation develops, manufactures and distributes the full line of:

