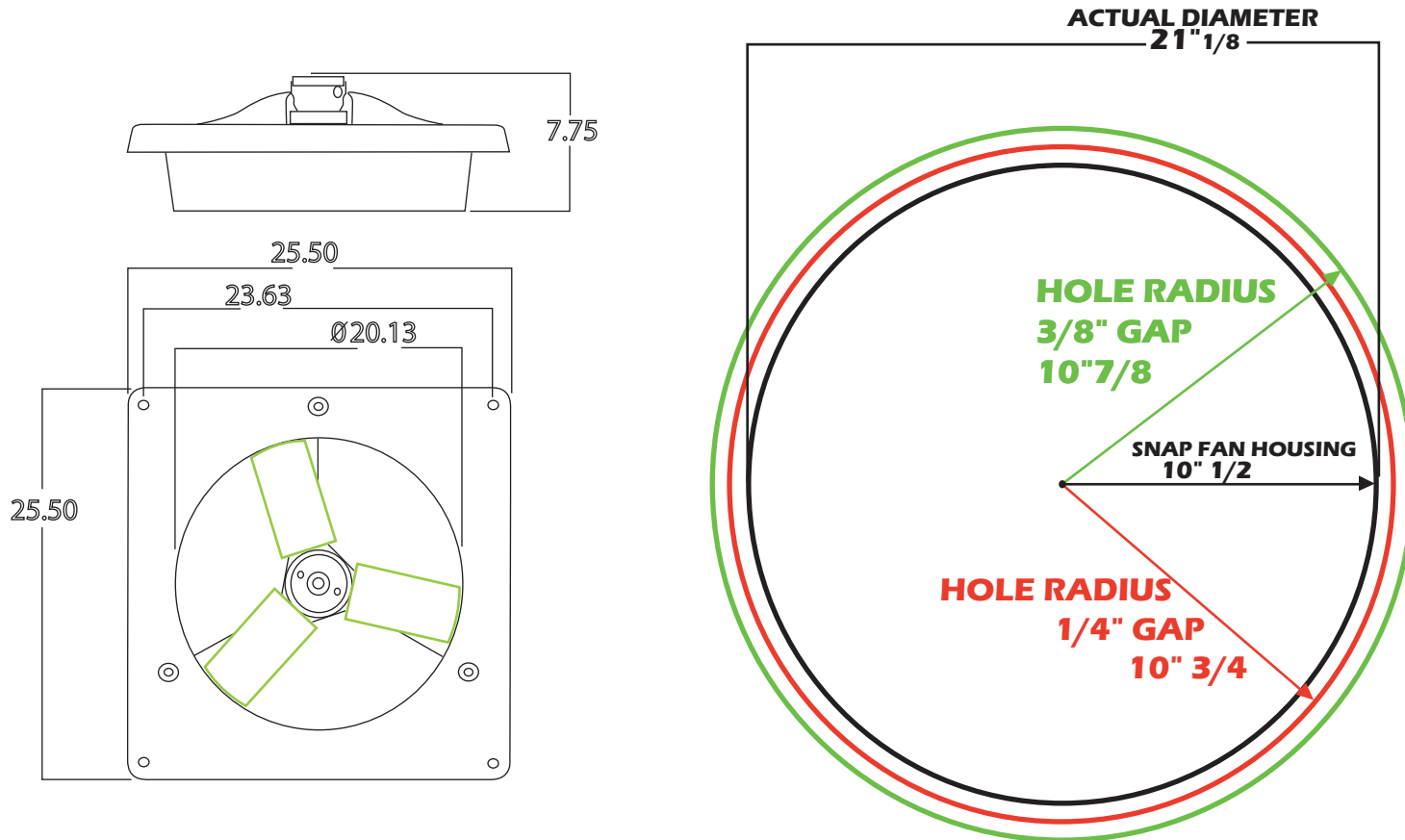


FAN MOUNTING HOLE DIAMETER

20" SNAP-FAN

USE THIS GUIDE TO DETERMINE THE SIZE OF THE CUT OUT HOLE NECESSARY TO MOUNT YOUR SNAP-FAN.



■ - Radius represents a hole $\frac{1}{4}$ " larger than the circumference of your SNAP-FAN's venturi housing

■ - Radius represents a hole $\frac{3}{8}$ " larger than the circumference of your SNAP-FAN's venturi housing